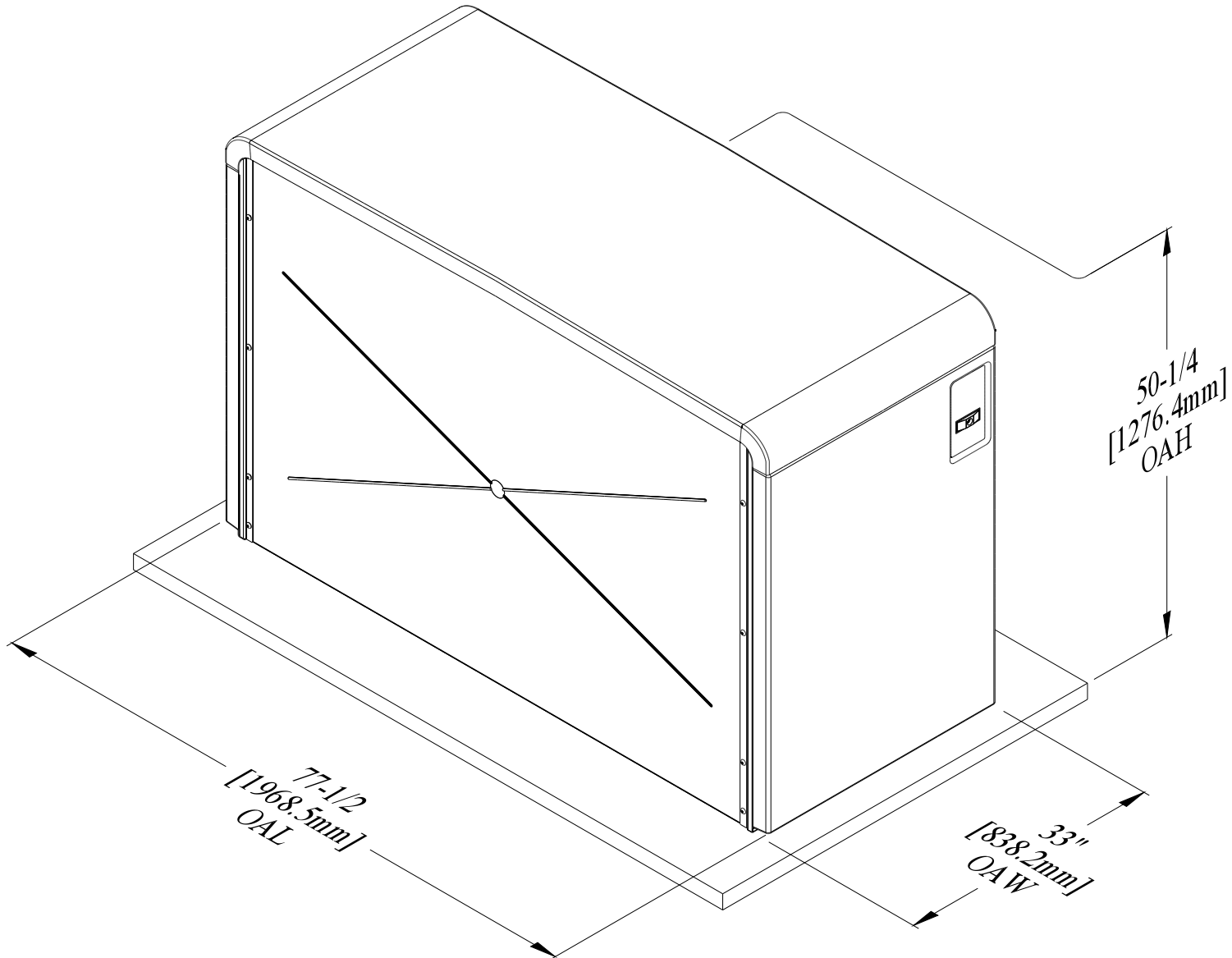
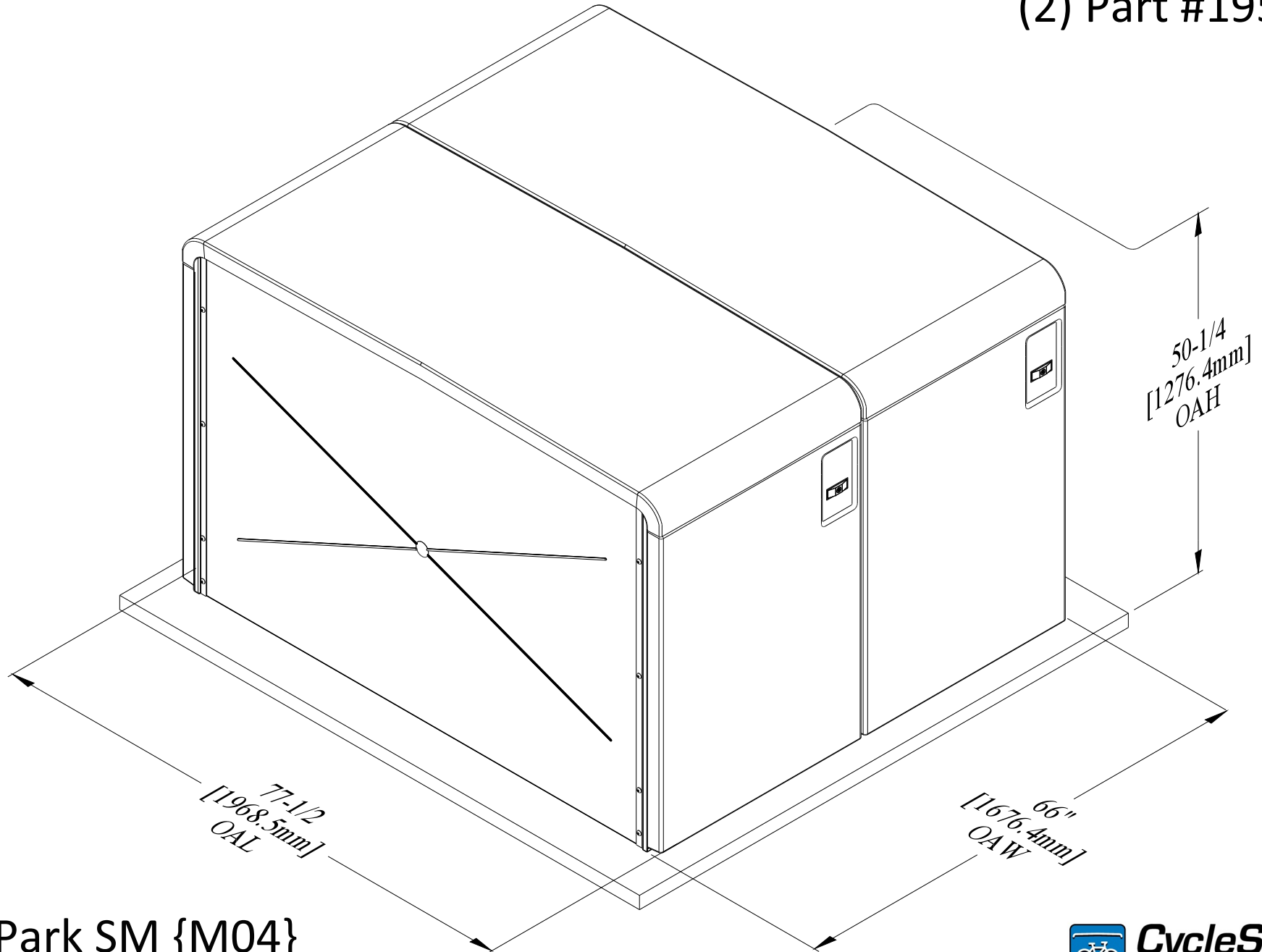


Part #19502



EcoPark SM {M02}
{2-Bike} Standard Locker {Dims}

(2) Part #19502



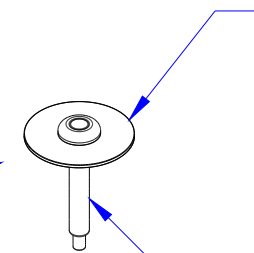
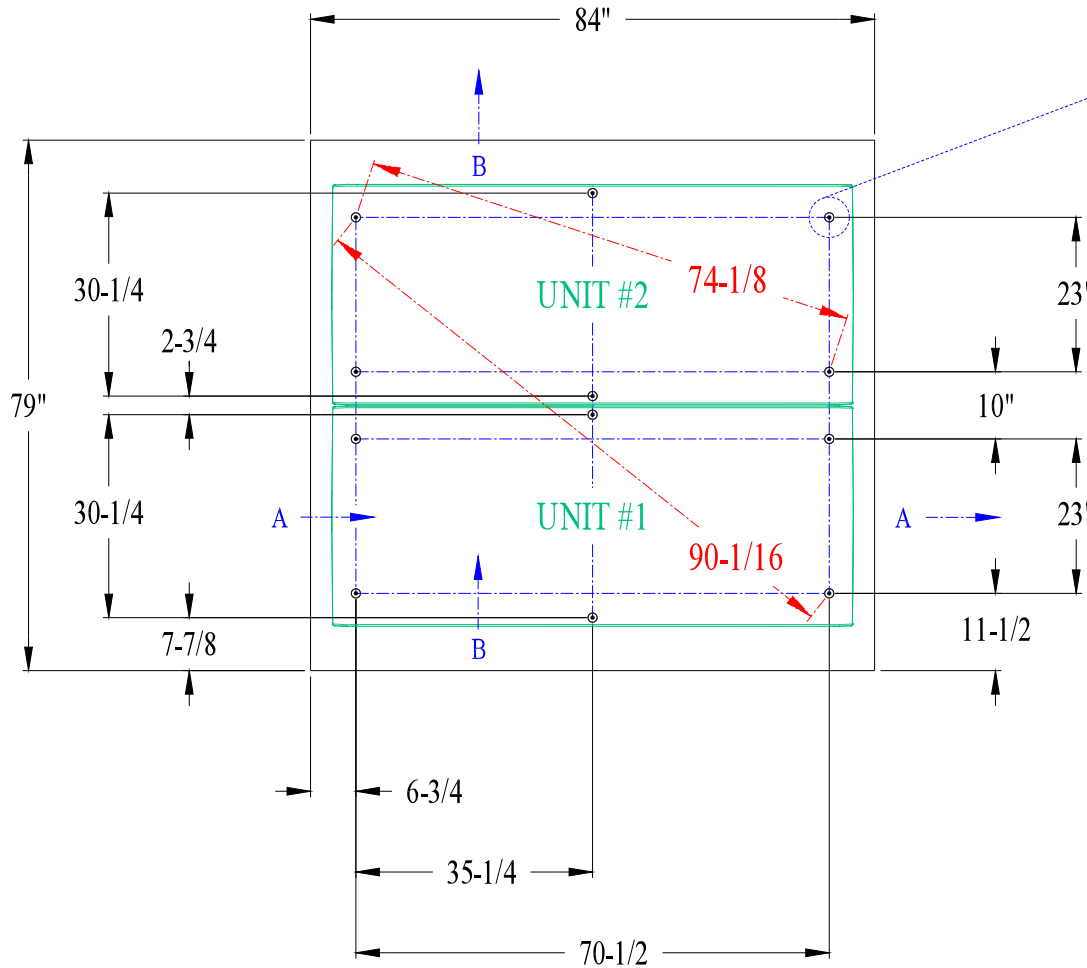
EcoPark SM {M04}
{4-Bike} Standard Locker {Dims}

NOTE:

INCLINE ANGLES

A. DOOR-TO-DOOR INCLINE TO BE NO MORE THAN 1 ° SLANT

B. BANKING SIDE-TO-SIDE TO BE NO MORE THAN 2 ° SLANT

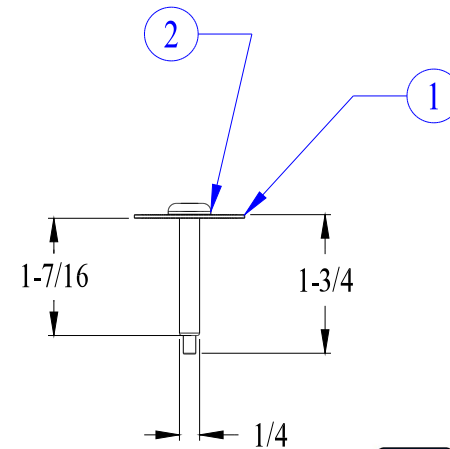


P/N 19581
1/4" ID x 1" OD
S/S FLAT WASHER
(6) PER UNIT

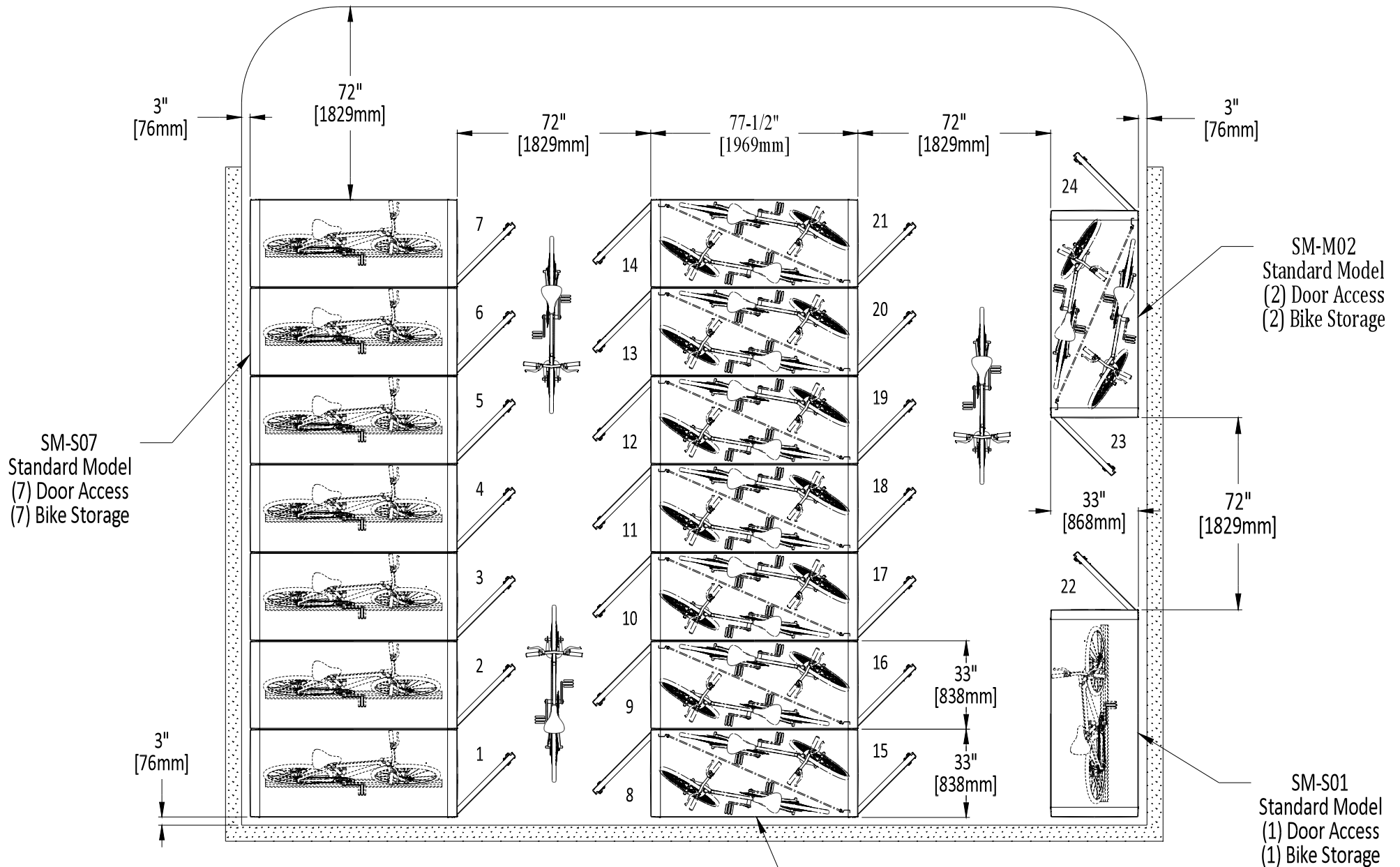
①

P/N 19572
HAMMER 1/4" x 1-1/2"
DRIVE PIN ANCHOR
(6) PER UNIT

②



EcoPark {M04} Lockers Anchor Placement Locations



CycleSafe {EcoPark} Lockers

Locker Clearance & Capacities

SM-M14
Standard Model
(14) Door Access
(14) Bike Storage



www.cyclesafe.com